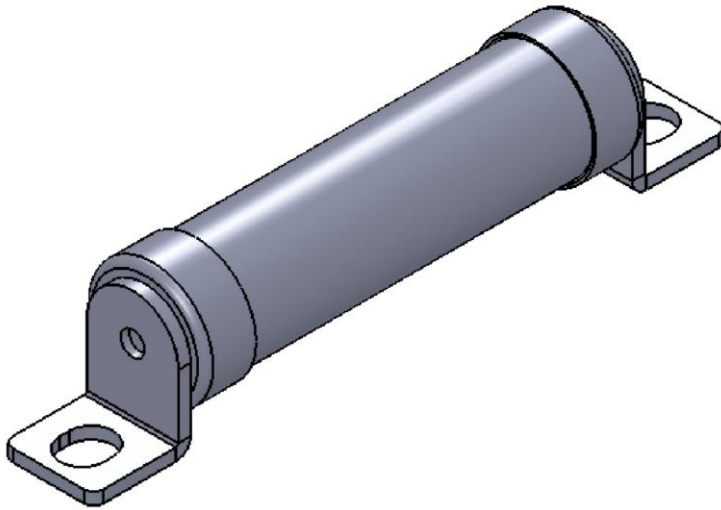


**BUSSMANN**  
**1500VDC 70/80A Semiconductor Fuse**

**Rev. B**



**Fuse Part Number:**

PV15M-70A21F

PV15M-80A21F

**Voltage:** — 1500 VDC

**Current:** — 70A, 80A

**Breaking Capacity:** 100kA

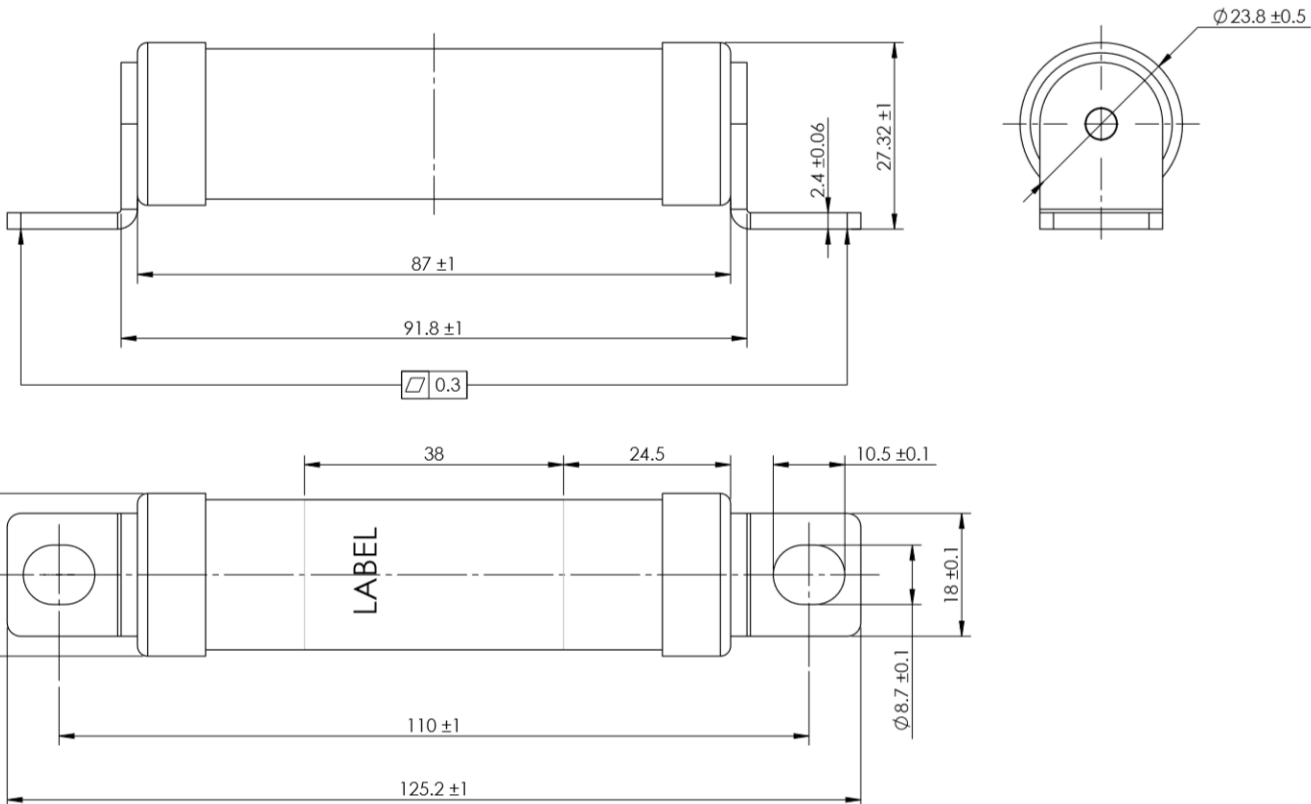
**Time Constant:** — 10ms

**Standard:** UL248-13

**UL File No.:** E258171

**Compliance to RoHS**

**Outline:**





Powering Business Worldwide

# BUSSMANN 1500VDC 70/80A Semiconductor Fuse

Rev. B

## Time Current Curves:

Voltage Rating (V)	Current Rating (A)	Pre-arcing $i^2t$ ( $A^2s$ )	Total $i^2t$ ( $A^2s$ )	Power Loss at In (W)	Power Loss at 0.8xIn (W)	Power Loss at 0.5xIn (W)
1500Vdc	70	1,100	3,000	23	13	6
	80	1,500	4,000	25	14	6

